



TESI 4

30 elements, height 565 mm, length 1350 mm. Flame Red finish (cod. 7D). Configuration cod. 02.



Technical features:

- tubes made of 25 mm diameter sheet steel
- manifolds made of pressed sheet steel
- elements 45 mm long (element pitch)
- threading 1"1/4 G right and left on top and bottom manifold
- maximum working pressure 10 bar
- maximum working temperature 95°C

TESI is available, on request, in some heights not included in this price list. For feasibility and cost ask our commercial service (customer care).

The union of several coils, to obtain radiators of non-indicated lengths, can be carried out with a simple nipple operation (see nipple table on page 59).

Finishes available	Surcharge
Standard White	
Classic finishes	
Special finishes	
Loft finishes (cod. TR)	
Other RAL colors	

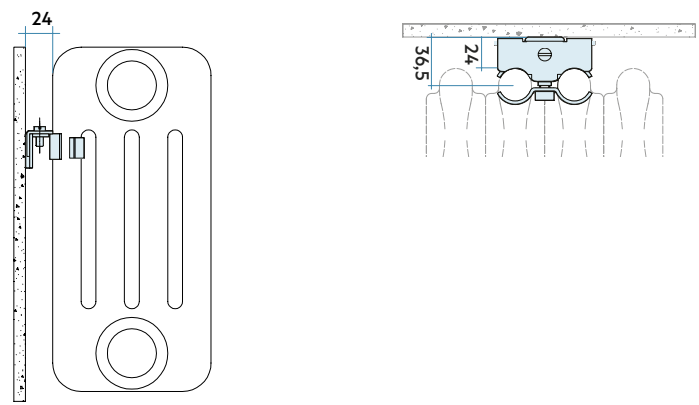
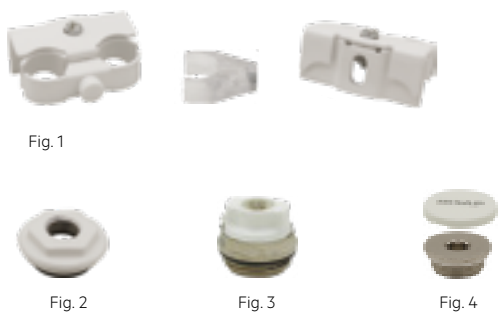
Finishing codes see page 596.

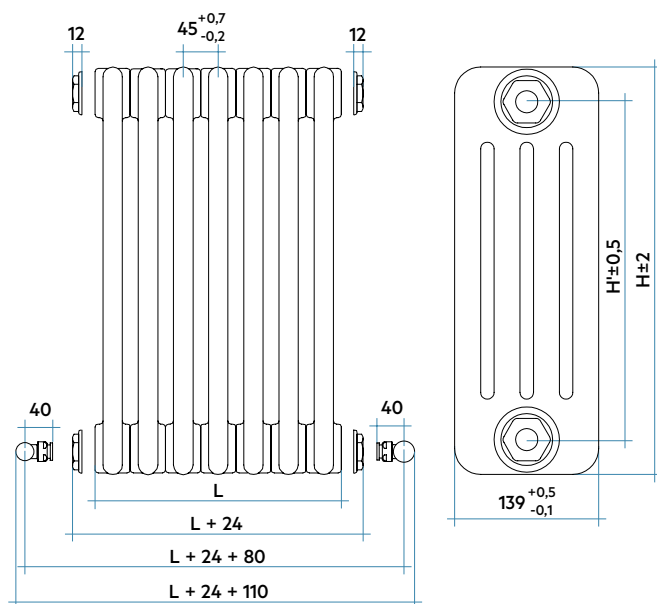
Valves

IRSAP valves can be supplied to match the radiator.
To select the type of valve suitable for the connection, see the Accessories section pag. 562.

Prices included

- 4 Universal brackets for Tesi (except for very small batteries) (fig. 1)
- 4 connections with reductions 1"1/4 to 1/2" for Tesi white and colored, mounted on the radiator (fig. 2)
- 1 1/2" air vent (fig. 3)
- 1 cover for 1/2" blind plug (fig. 4)





Total width of the TESI radiator:

L (Tesi size) = No. of elements x 45
 L + 24 mm (12+12) = Tesi size with caps
 L + 24 mm (12+12) + 80 mm (40+40) = Low water inlet hydraulic centre distance (right and left) with IRSAP valves and caps
 L + 24 mm (12+12) + 110 mm = **Total overall dimensions**



Model	Code	Depth mm	Height H mm	Conn. centre H' mm	Weigh Kg	Capacity lt	Thermal Power				Exp. n.	
							$\Delta t=50^{\circ}\text{C}$ Btu/h	$\Delta t=50^{\circ}\text{C}$ Watt	$\Delta t=40^{\circ}\text{C}$ Watt	$\Delta t=30^{\circ}\text{C}$ Watt (*)		$\Delta t=20^{\circ}\text{C}$ Watt
200	RT 4 0200 YY 01 A4 02 N	139	200	127	0,69	0,60	76,2	26,0	19,3	13,2	7,7	1,326
300	RT 4 0300 YY 01 A4 02 N	139	300	235	1,00	0,75	123,5	42,1	31,8	22,1	13,3	1,258
350	RT 4 0350 YY 01 A4 02 N	139	350	285	1,14	0,83	142,0	48,4	36,5	25,4	15,2	1,265
365	RT 4 0365 YY 01 A4 02 N	139	365	300	1,19	0,85	147,5	50,3	37,9	26,3	15,7	1,267
400	RT 4 0400 YY 01 A4 02 N	139	400	335	1,29	0,91	160,3	54,6	41,1	28,5	17,0	1,272
450	RT 4 0450 YY 01 A4 02 N	139	450	385	1,43	0,99	178,4	60,8	45,7	31,6	18,8	1,279
500	RT 4 0500 YY 01 A4 02 N	139	500	435	1,58	1,07	196,3	66,9	50,2	34,7	20,6	1,286
535	RT 4 0535 YY 01 A4 02 N	139	535	470	1,68	1,12	208,8	71,2	53,3	36,8	21,8	1,291
550	RT 4 0550 YY 01 A4 02 N	139	550	485	1,72	1,15	214,1	73,0	54,7	37,7	22,3	1,293
565	RT 4 0565 YY 01 A4 02 N	139	565	500	1,76	1,17	219,4	74,8	56,0	38,6	22,8	1,296
600	RT 4 0600 YY 01 A4 02 N	139	600	535	1,87	1,23	231,8	79,0	59,1	40,6	24,0	1,300
650	RT 4 0650 YY 01 A4 02 N	139	650	585	2,01	1,30	249,3	85,0	63,5	43,6	25,6	1,307
665	RT 4 0665 YY 01 A4 02 N	139	665	600	2,05	1,33	254,5	86,7	64,8	44,4	26,1	1,310
685	RT 4 0685 YY 01 A4 02 N	139	685	620	2,11	1,36	261,5	89,1	66,5	45,6	26,8	1,312
750	RT 4 0750 YY 01 A4 02 N	139	750	685	2,30	1,46	284,0	96,8	72,1	49,3	28,8	1,322
765	RT 4 0765 YY 01 A4 02 N	139	765	700	2,34	1,49	289,2	98,6	73,3	50,1	29,3	1,324
815	RT 4 0815 YY 01 A4 02 N	139	815	750	2,48	1,57	306,4	104,4	77,6	52,9	30,9	1,331
865	RT 4 0865 YY 01 A4 02 N	139	865	800	2,63	1,64	323,5	110,3	81,8	55,7	32,4	1,338
885	RT 4 0885 YY 01 A4 02 N	139	885	820	2,69	1,68	330,4	112,6	83,5	56,8	33,0	1,341
900	RT 4 0900 YY 01 A4 02 N	139	900	835	2,73	1,70	335,5	114,3	84,7	57,6	33,4	1,343
1000	RT 4 1000 YY 01 A4 02 N	139	1000	935	3,02	1,86	369,4	125,9	93,4	63,5	36,9	1,340
1200	RT 4 1200 YY 01 A4 02 N	139	1200	1135	3,60	2,17	436,6	148,8	110,5	75,2	43,8	1,335
1500	RT 4 1500 YY 01 A4 02 N	139	1500	1435	4,48	2,63	535,9	182,6	135,8	92,7	54,1	1,328
1800	RT 4 1800 YY 01 A4 02 N	139	1800	1735	5,35	3,11	633,9	216,0	160,9	110,0	64,4	1,321
2000	RT 4 2000 YY 01 A4 02 N	139	2000	1935	5,92	3,44	698,7	238,1	177,5	121,5	71,3	1,317
2200	RT 4 2200 YY 01 A4 02 N	139	2200	2135	6,50	3,76	763,0	260,0	194,0	133,0	78,1	1,312
2500	RT 4 2500 YY 01 A4 02 N	139	2500	2435	7,36	4,25	859,1	292,8	218,8	150,2	88,5	1,306

(*) Thanks to the high performance of Irsap TESI 4 radiators, the ideal Δt for low temperature projects is Δt at 30°C..

For Δt different from 50°C use the formula: $Q=Q_n (\Delta t / 50)^n$

Key Codes

Standard White colour code.
 For different colour codes see the colours page 596

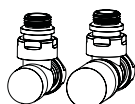
RT 4 0200 YY 01 A4 02 N

Number of elements

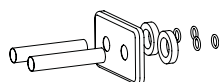
Packing code

Radiator with plugs assembled. For other configurations and water connections see page 54

Decorative & Technical Accessories



Kit Valves and Lockshield valve
 Pag. 562



Pipe cover kit
 Pag. 566

RADIATORS' DATA (LENGHTS WITHOUT BUSHES)

		HEIGHT												
		750	765	815	865	885	900	1000	1200	1500	1800	2000	2200	2500
Lenght mm 90 <i>yy = N° elem.</i> 2	W	194	197	209	221	225	229	252	298	365	432	476	520	586
Lenght mm 135 <i>yy = N° elem.</i> 3	W	290	296	313	331	338	343	378	446	548	648	714	780	878
Lenght mm 180 <i>yy = N° elem.</i> 4	W	387	394	418	441	450	457	504	595	731	864	952	1040	1171
Lenght mm 225 <i>yy = N° elem.</i> 5	W	484	493	522	551	563	572	630	744	913	1080	1191	1300	1464
Lenght mm 270 <i>yy = N° elem.</i> 6	W	581	591	627	662	676	686	755	893	1096	1296	1429	1560	1757
Lenght mm 315 <i>yy = N° elem.</i> 7	W	678	690	731	772	788	800	881	1042	1278	1512	1667	1820	2049
Lenght mm 360 <i>yy = N° elem.</i> 8	W	774	788	835	882	901	915	1007	1190	1461	1728	1905	2080	2342
Lenght mm 405 <i>yy = N° elem.</i> 9	W	871	887	940	992	1013	1029	1133	1339	1644	1944	2143	2340	2635
Lenght mm 450 <i>yy = N° elem.</i> 10	W	968	986	1044	1103	1126	1143	1259	1488	1826	2160	2381	2600	2928
Lenght mm 495 <i>yy = N° elem.</i> 11	W	1065	1084	1149	1213	1238	1258	1385	1637	2009	2376	2619	2860	3220
Lenght mm 540 <i>yy = N° elem.</i> 12	W	1161	1183	1253	1323	1351	1372	1511	1785	2192	2592	2857	3120	3513
Lenght mm 585 <i>yy = N° elem.</i> 13	W	1258	1281	1357	1433	1464	1486	1637	1934	2374	2808	3095		
Lenght mm 630 <i>yy = N° elem.</i> 14	W	1355	1380	1462	1544	1576	1601	1763	2083	2557	3024	3333		
Lenght mm 675 <i>yy = N° elem.</i> 15	W	1452	1478	1566	1654	1689	1715	1889	2232	2739	3240	3572		
Lenght mm 720 <i>yy = N° elem.</i> 16	W	1549	1577	1671	1764	1801	1829	2014	2381	2922	3456	3810		
Lenght mm 765 <i>yy = N° elem.</i> 17	W	1645	1676	1775	1874	1914	1944	2140	2529	3105	3673	4048		
Lenght mm 810 <i>yy = N° elem.</i> 18	W	1742	1774	1880	1985	2027	2058	2266	2678	3287	3889	4286		
Lenght mm 855 <i>yy = N° elem.</i> 19	W	1839	1873	1984	2095	2139	2172	2392	2827	3470	4105	4524		
Lenght mm 900 <i>yy = N° elem.</i> 20	W	1936	1971	2088	2205	2252	2287	2518	2976	3653	4321	4762		
Lenght mm 945 <i>yy = N° elem.</i> 21	W	2033	2070	2193	2315	2364	2401	2644	3125	3835	4537	5000		
Lenght mm 990 <i>yy = N° elem.</i> 22	W	2129	2168	2297	2426	2477	2515	2770	3273	4018	4753	5238		
Lenght mm 1035 <i>yy = N° elem.</i> 23	W	2226	2267	2402	2536	2590	2630	2896						
Lenght mm 1080 <i>yy = N° elem.</i> 24	W	2323	2365	2506	2646	2702	2744	3022						
Lenght mm 1125 <i>yy = N° elem.</i> 25	W	2420	2464	2611	2757	2815	2858	3148						
Lenght mm 1170 <i>yy = N° elem.</i> 26	W	2517	2563	2715	2867	2927	2973	3273						
Lenght mm 1215 <i>yy = N° elem.</i> 27	W	2613	2661	2819	2977	3040	3087	3399						
Lenght mm 1260 <i>yy = N° elem.</i> 28	W	2710	2760	2924	3087	3153	3201	3525						
Lenght mm 1305 <i>yy = N° elem.</i> 29	W	2807	2858	3028	3198	3265	3316	3651						
Lenght mm 1350 <i>yy = N° elem.</i> 30	W	2904	2957	3133	3308	3378	3430	3777						
Lenght mm 1395 <i>yy = N° elem.</i> 31	W	3000	3055											
Lenght mm 1440 <i>yy = N° elem.</i> 32	W	3097	3154											
Lenght mm 1485 <i>yy = N° elem.</i> 33	W	3194	3252											
Lenght mm 1530 <i>yy = N° elem.</i> 34	W	3291	3351											
Lenght mm 1575 <i>yy = N° elem.</i> 35	W	3388	3450											
Lenght mm 1620 <i>yy = N° elem.</i> 36	W													
Lenght mm 1665 <i>yy = N° elem.</i> 37	W													
Lenght mm 1710 <i>yy = N° elem.</i> 38	W													
Lenght mm 1755 <i>yy = N° elem.</i> 39	W													
Lenght mm 1800 <i>yy = N° elem.</i> 40	W													

