

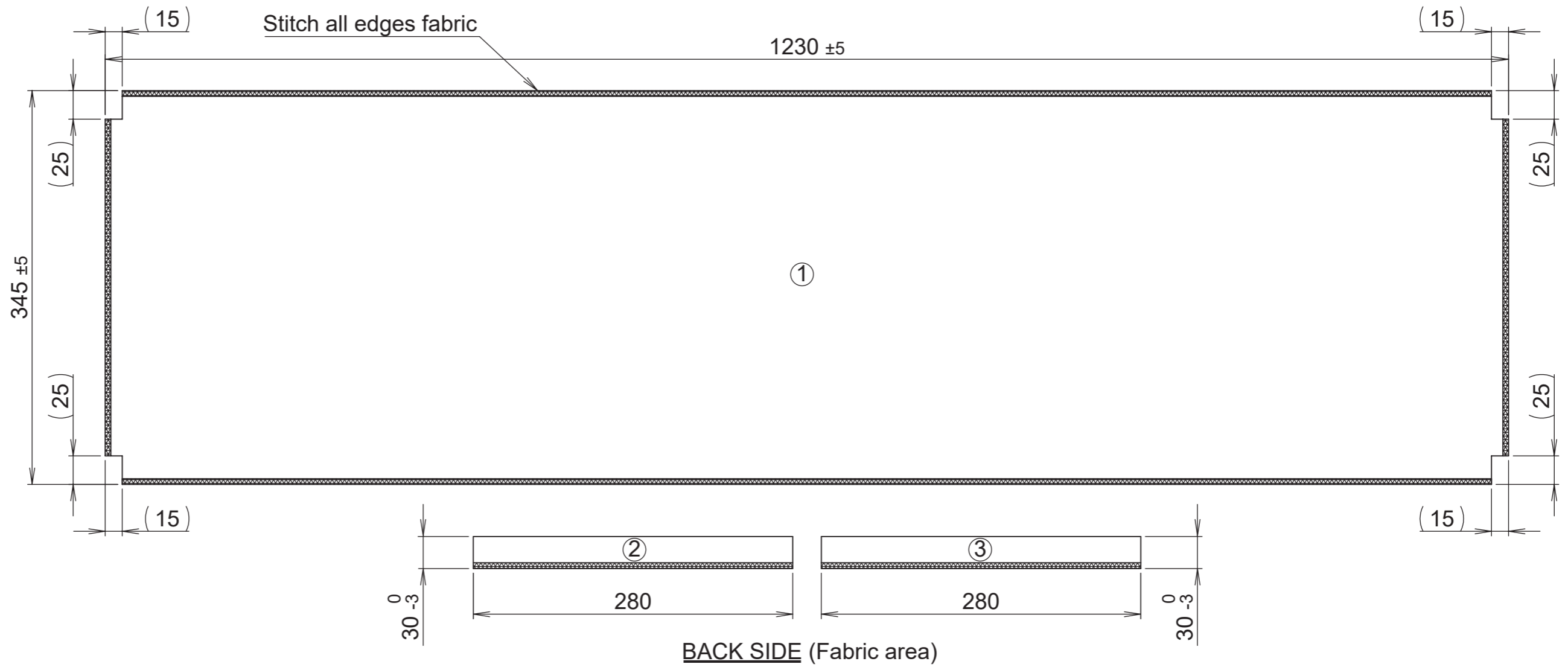
1129867201

SCALE	UNITS
1:4	mm

PAGE 1/2

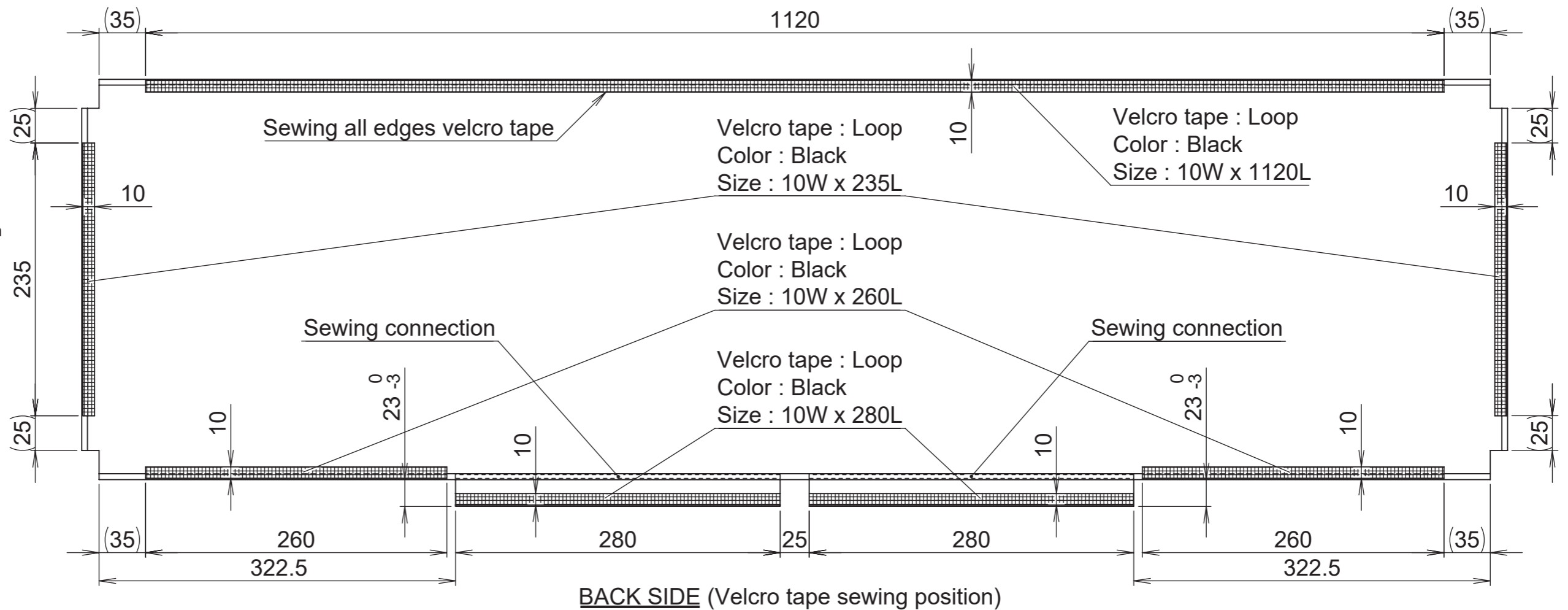
Step 1

1. Cutting fabric 3 pieces and stitch all edges fabric as following picture ①②③.



Step 2

1. Sewing fabric ② and ③ connect with fabric ① as following picture.
2. Sewing the velcro tape (loop) on back side fabric by keep position velcro tape (loop) as following picture.



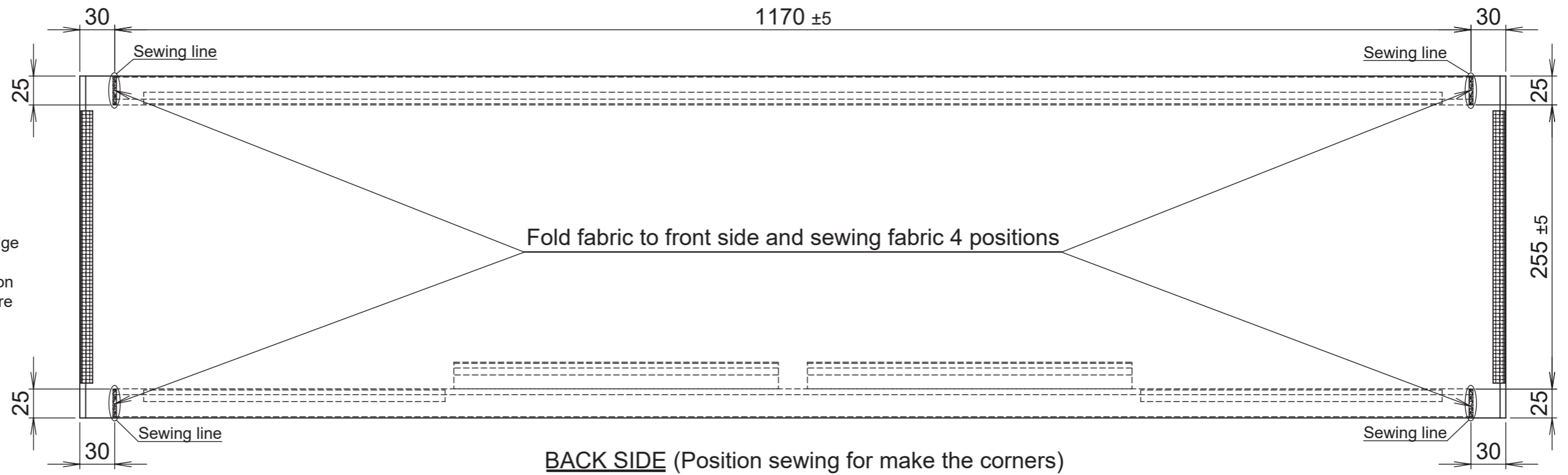
1129867201

SCALE	UNITS
1:4	mm

PAGE 2/2

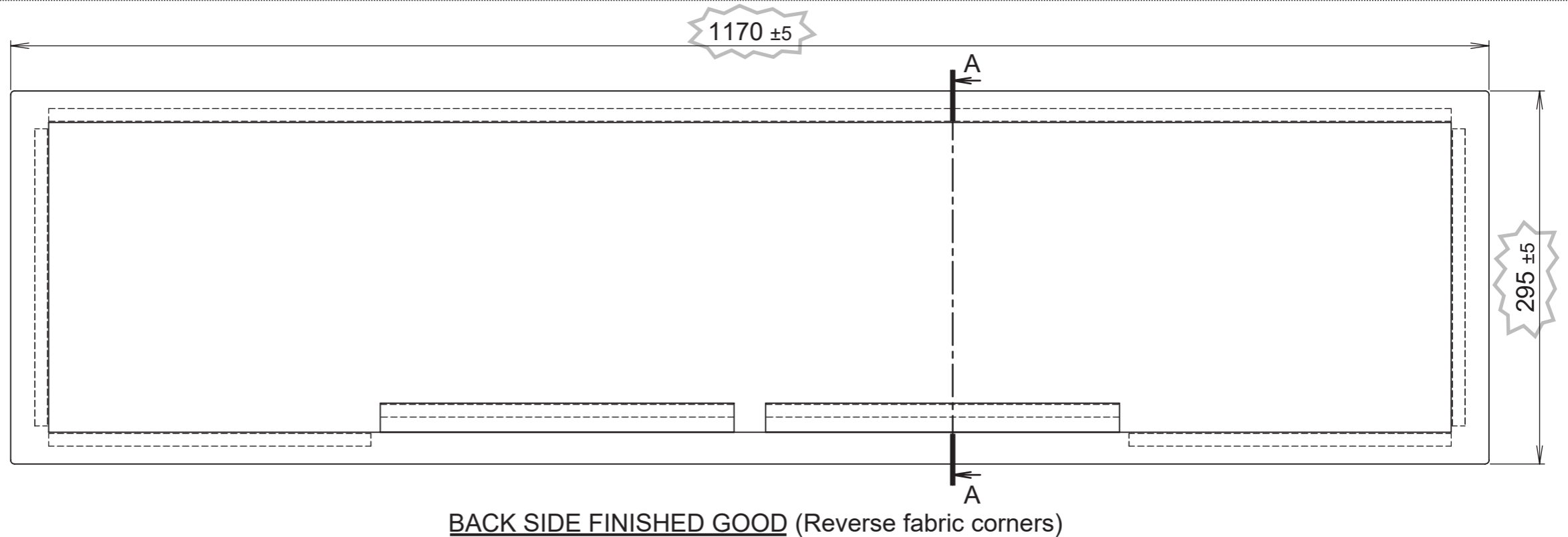
Step 3

1. Folding top edge and bottom edge of fabric to front side.
2. Sewing on fabric by keep position of sewing line as following picture for make the corners.



Step 4

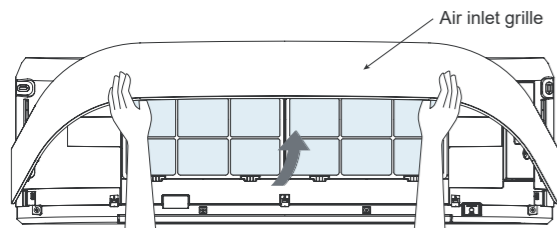
1. Reverse fabric at corner position, the corner position become to envelop.



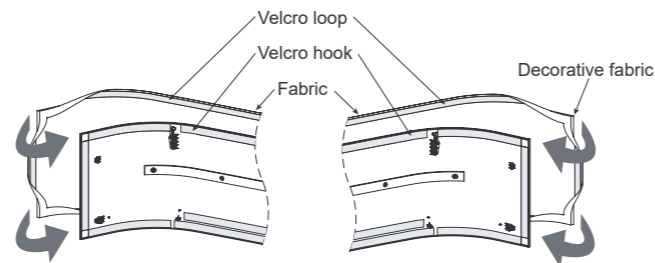
Decorative Fabric Installation

The method of installation is as follows.

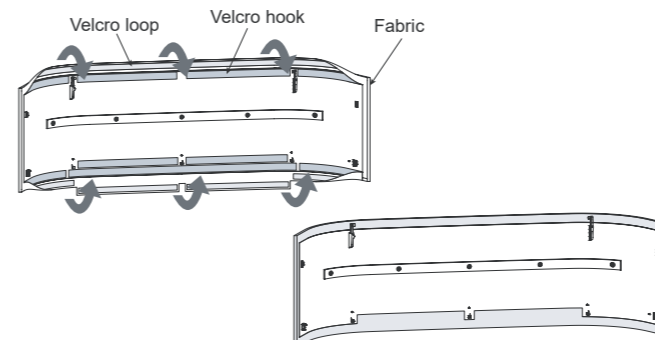
1. Remove the air inlet grille. Open the air inlet grille upward and pull it toward you. As shown on figure as below.



2. Prepare the fabric that you choose for install.
3. Insert the fabric into the left and right side of the air inlet grille. Attach the hook and loop of velcro tape fully together. As shown on figure as below.



4. Insert the fabric into the top and bottom side of the air inlet grille. Attach the hook and loop of velcro tape fully together. As shown on figure as below.



5. Reassembly the air inlet grille by reverse process of 1.



NOTE

- The tightness of the fabric depends on attaching the hook and loop of velcro around the air inlet grille, take appropriate action.

CAUTION

- If decorative fabric size inaccurate, it may affect to appearance and fitting of the decorative fabric.
- These pattern and dimensions we design for match with elasticity of standard fabric, if use other fabric which difference elasticity, it may affect to fitting and appearance.